
Subject: Re: Curvex Box

Posted by [DRGM](#) on Fri, 07 Feb 2020 16:40:24 GMT

[View Forum Message](#) <> [Reply to Message](#)

These early Curvex boxes are just great! I wished I'd own the leatherette box for a 311 and the early blue plastic box for a 330...

I'm crazy when it comes to watch boxes. Often, I buy a box without owning the matching "filling". Like in this case, when I saw the "gray egg" - I hadn't seen such a Curvex box before:

Said box was protected for Gruen by two patents, i. e. by patent No 2,667,967 and by Design patent No 161,898:

Both patents were filed in USPTO on September 21, 1950. Inventors were Francis E. Blod and Alfred M. Blumenfeld. Shortly after application of the patents the box was put on the market - here's an ad published in „The Ohio Daily Express“ on October 13, 1950, that means, roughly one month after the application date of the patents:

There, the box is shown with a Portrait - I assume, all other Curvex models were sold with this "gray egg" also. As I already mentioned: I bought the box, but a matching filling was missing. It surfaced some days later, i.e. a Captain, style number 370/750.

The Captain has an unostentatious design - contrary to some Curvex models of the late 40s/early 50s which are sometimes quite kitschy.

File Attachments

1) [Gruen-Curvex-Box_egg_01_1366.jpg](#), downloaded 2575 times



2) [US2667967_1366.jpg](#), downloaded 2541 times

Feb. 2, 1954

F. E. BLOD ET AL

2,667,967

FRONT OPENING WATCH DISPLAY BOX

Filed Sept. 21, 1950

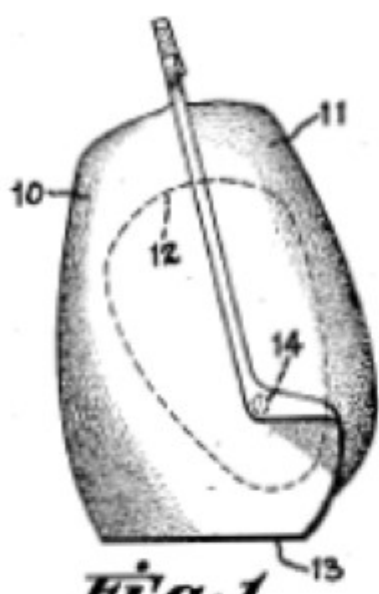


Fig. 1

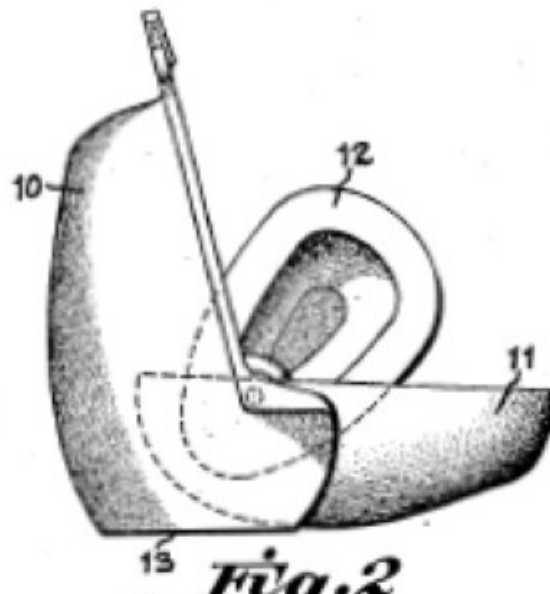


Fig. 2

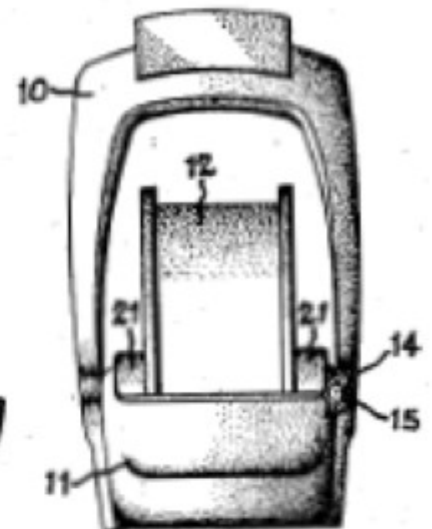


Fig. 3

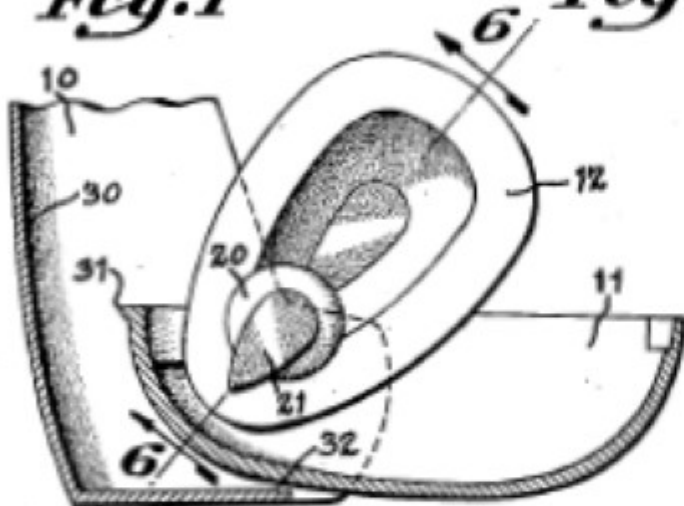


Fig. 4

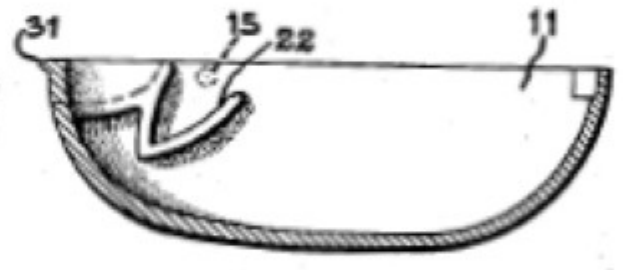


Fig. 5

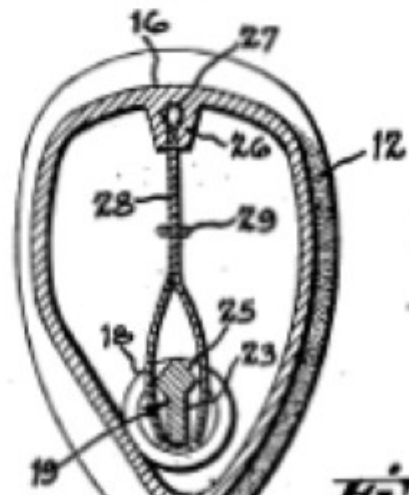
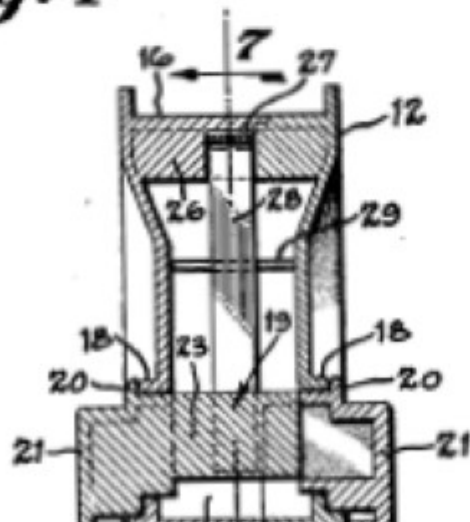


Fig. 7

3) [USD161898_1366.jpg](#), downloaded 2594 times

Feb. 13, 1951

F. E. BLOD ET AL
FRONT OPENING WATCH BOX

Des. 161,898

Filed Sept. 21, 1950

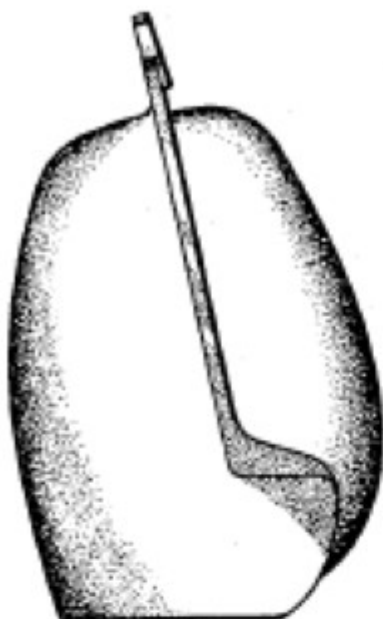


Fig. 1



Fig. 2



Fig. 3

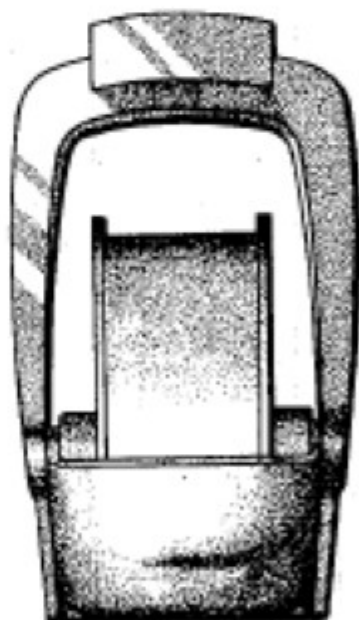
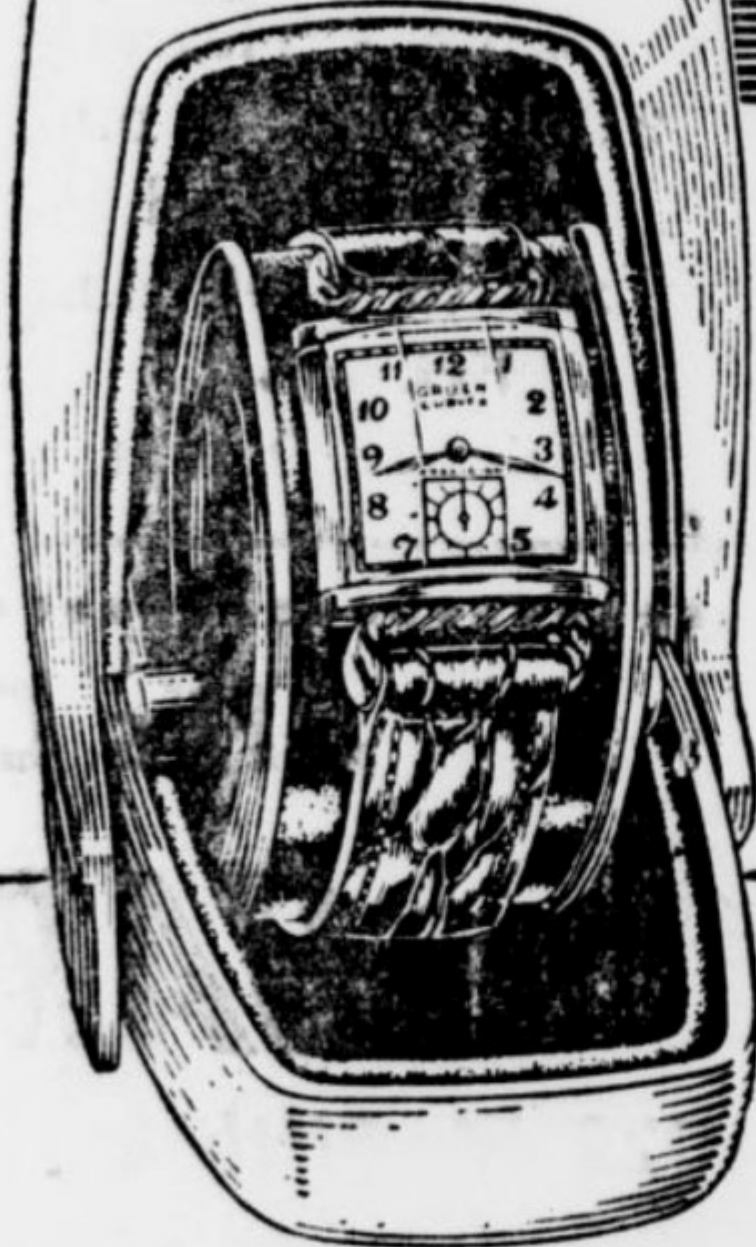


Fig. 4



4) [The Ohio daily-express_13Oct1950_Curvex-Box_Detail_1366.jpg](#)
, downloaded 2590 times

GRUEN CURVEX



CURVEX PORTRAIT
17 jewels, gold-**\$49.75**
filled case.

Cu

*Every Gruen Masterpiece watch comes in
a luxurious velvet-lined gift box.*

thr
cur
cur
stu
cur
try
you

5) [Gruen-Curvex-Box_egg_03_1366.jpg](#), downloaded 2556 times



6) [Gruen-Curvex-Box_egg_04_1366.jpg](#), downloaded 2600 times



7) [Gruen-Curvex-Box_egg_05_1366.jpg](#), downloaded 2566 times



8) [Gruen-Curvex_370-750_02_1366.jpg](#), downloaded 2627 times



9) [Gruen-Curvex_370-750_03_1366.jpg](#), downloaded 2590 times



10) [Gruen-Curvex_370-750_07_1366.jpg](#), downloaded 2604 times

